



PRODUCT CATALOGUE

TABLE OF CONTENTS

4040	2
-------------------	----------

4040

ALUMINIUM HINGE 4040

MHB-4040

[Read More](#)

SKU: N/A

Price: \$7.56 Ex GST

Categories: [Accessories](#), [Handles and hinges](#)

Tags: [40 Series](#), [4040](#), [Hinge](#), [T-Slot accessories](#)



ARTICULATED JOINT 40X40

Part Number PJ-4040

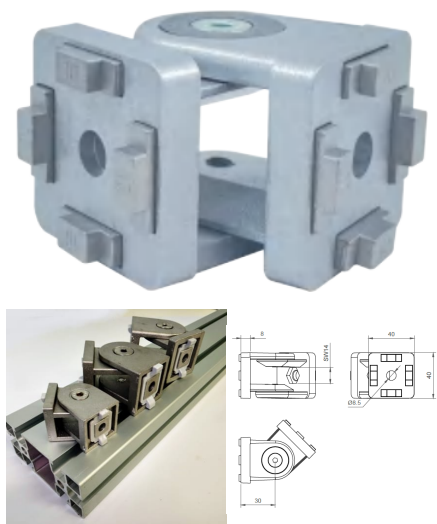
[Read More](#)

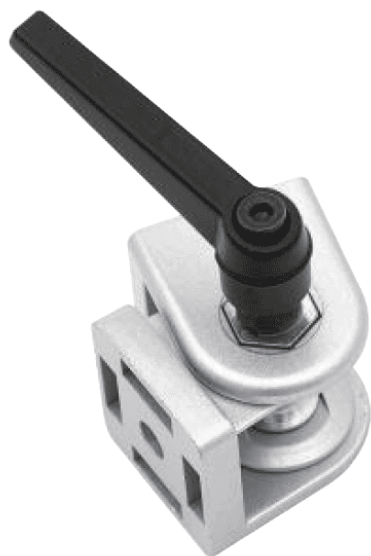
SKU: N/A

Price: \$11.95 Ex GST

Categories: [Articulated Joints](#), [T Slot profile and accessories](#)

Tags: [40 Series](#), [4040](#), [Articulated joint](#), [T-Slot accessories](#), [T-Slot Joint](#)





ARTICULATED JOINT 40X40 WITH LOCKING HANDLE

Part Number P JL-4040

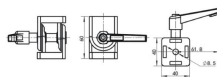
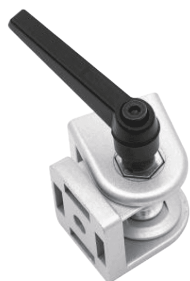
[Read More](#)

SKU: N/A

Price: \$12.29 Ex GST

Categories: [Articulated Joints](#), [T Slot profile and accessories](#)

Tags: [40 Series](#), [4040](#), [Articulated joint](#), [Locking handle](#), [T-Slot accessories](#), [T-Slot Joint](#)



CLAMPING PLATE 3030

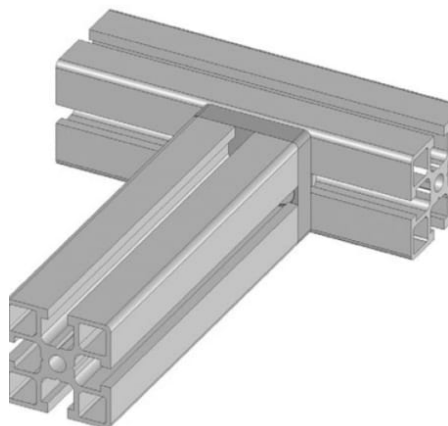
[Read More](#)

SKU: N/A

Price: \$3.71 Ex GST

Categories: [Accessories](#), [Connecting end plates](#), [End Plates](#), [Support accessories](#), [T Slot profile and accessories](#)

Tags: [40 Series](#), [4040](#), [Clamping Plate](#), [End Plate](#), [M8](#), [T-Rax Cargo System](#), [T-Slot accessories](#)





CLAMPING PLATE 4545

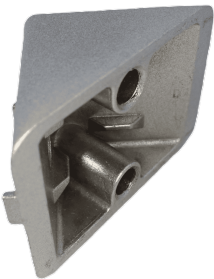
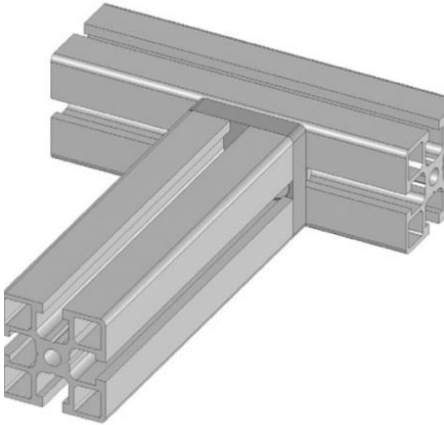
[Read More](#)

SKU: N/A

Price: \$4.32 Ex GST

Categories: [Accessories](#), [Connecting end plates](#), [End Plates](#), [Support accessories](#), [T Slot profile and accessories](#)

Tags: [40 Series](#), [4040](#), [Clamping Plate](#), [End Plate](#), [M12](#), [M6](#), [T-Rax Cargo System](#), [T-Slot accessories](#)



DIE CAST DUAL GUSSET BRACKET 40X40

2510.008.002

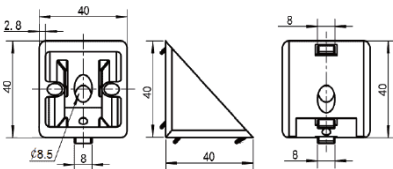
[Read More](#)

SKU: N/A

Price: \$5.50 Ex GST

Categories: [Accessories](#), [Corner brackets](#), [Die cast corner brackets](#), [Joint accessories](#), [T Slot profile and accessories](#)

Tags: [40 Series](#), [4040](#), [Corner Bracket](#), [Die Cast Bracket](#), [M8](#), [Series 40](#), [T-Slot accessories](#), [T-Slot Joint](#)





END CAP 40X40 BLACK

EC-4040-B

Plastic end cap

[Read More](#)

SKU: N/A

Price: \$1.36 Ex GST

Categories: [Accessories](#), [Caps and covers](#), [End Caps](#)

Tags: [40 Series](#), [4040](#), [Black](#), [End Cap](#), [T-Slot accessories](#)



END PLATE 4040 BLACK

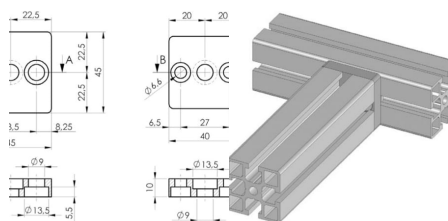
[Read More](#)

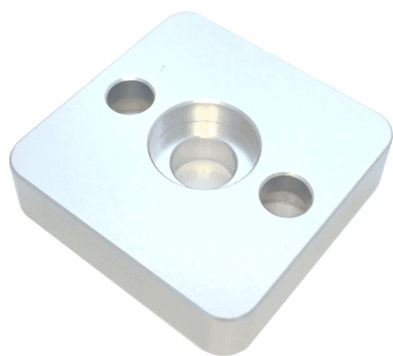
SKU: N/A

Price: \$11.25 Ex GST per Meter

Categories: [Accessories](#), [Connecting end plates](#), [End Plates](#), [Support accessories](#), [T slot Aluminium Profiles](#), [T Slot profile and accessories](#), [T-Rax Cargo system](#)

Tags: [40 Series](#), [4040](#), [Clamping Plate](#), [End Plate](#), [M6](#), [M8](#), [T-Rax Cargo System](#), [T-Slot accessories](#)





END PLATE 4040 SILVER

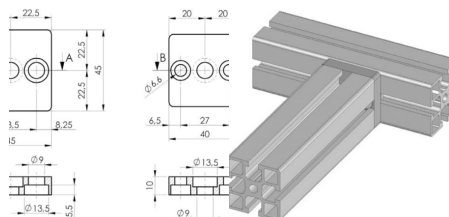
[Read More](#)

SKU: N/A

Price: \$11.25 Ex GST

Categories: [Accessories](#), [Connecting end plates](#), [End Plates](#), [End Plates](#), [Support accessories](#), [T Slot profile and accessories](#), [T-Rax Cargo system](#)

Tags: [40 Series](#), [4040](#), [Clamping Plate](#), [End Plate](#), [M6](#), [M8](#), [T-Rax Cargo System](#), [T-Slot accessories](#)



END PLATE 40X40 (8MM SLOT)

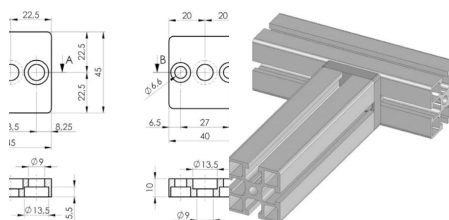
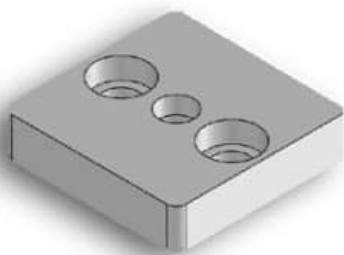
[Read More](#)

SKU: AEMP-4040-M8

Price: \$12.50 Ex GST

Categories: [Accessories](#), [End Plates](#), [Joint accessories](#), [T Slot profile and accessories](#)

Tags: [40 Series](#), [4040](#), [End Plate](#), [M8](#), [T-Slot accessories](#)





EXTRUSION MACHINED CORNER BRACKET 90 DEGREES 4040

AEMB90-4040

Extrusion aluminium corner bracket for joining and supporting T Slot Aluminium profiles and for attaching components.

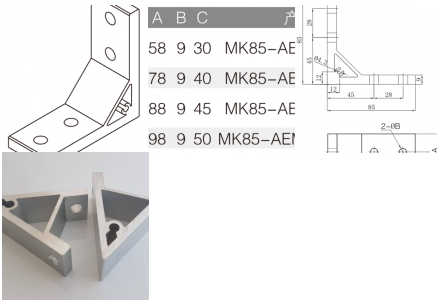
[Read More](#)

SKU: N/A

Price: \$9.00 Ex GST

Categories: [Accessories](#), [Extrusion machined corner brackets](#), [Joint accessories](#), [T Slot profile and accessories](#)

Tags: [4040](#), [Corner Bracket](#), [Extrusion Machined Bracket](#), [M8](#), [Series 40](#), [T-Slot accessories](#), [T-Slot Joint](#)



FLOOR ANCHOR 40X40

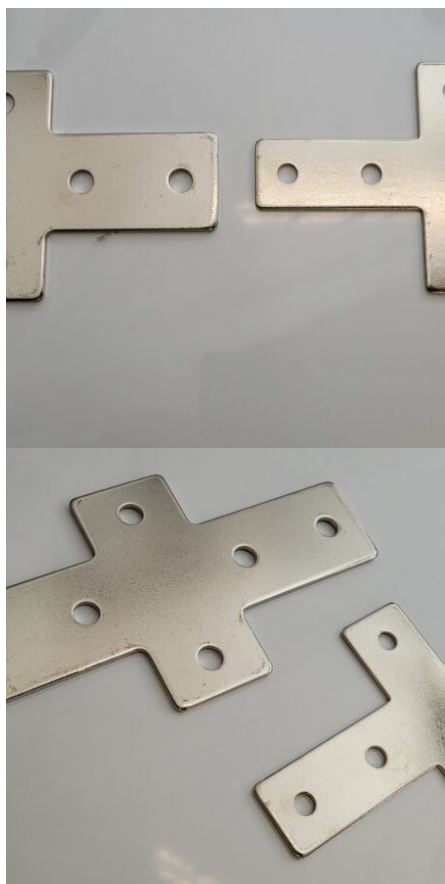
FBC-4040

[Read More](#)

SKU: N/A

Price: \$28.67 Ex GST

Categories: [Accessories](#), [Foundation brackets](#), [Support accessories](#)
Tags: [40 Series](#), [4040](#), [Floor Anchor](#), [T-Slot accessories](#)



JOINING CROSS PLATE 4040

CP-JPCS-4040

Aluminium cross joining plate for 4040 T-Slot Aluminium extrusions

[Read More](#)

SKU: N/A

Price: \$12.00 Ex GST

Categories: [Accessories](#), [Connecting plates](#), [Joint accessories](#), [T Slot profile and accessories](#)

Tags: [40 Series](#), [4040](#), [Cross Plate](#), [T-Slot accessories](#), [T-Slot Joint](#)



JOINING L PLATE 4040

CP-JPL-4040

steel L shape joining plate for 4040 T-Slot Aluminium extrusions

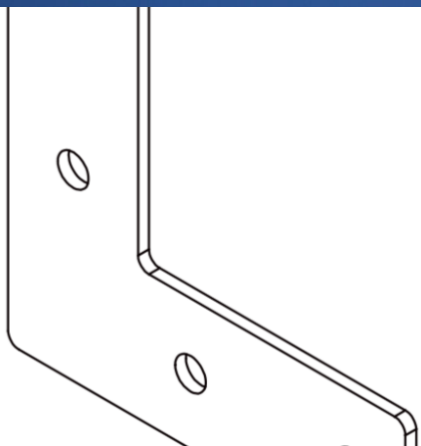
[Read More](#)

SKU: N/A

Price: \$12.00 Ex GST

Categories: [Accessories](#), [Connecting plates](#), [Joint accessories](#), [T Slot profile and accessories](#)

Tags: [40 Series](#), [4040](#), [L Plate](#), [T-Slot accessories](#), [T-Slot Joint](#)





JOINING T PLATE 4040

CP-JPT-4040

steel T shape joining plate for 4040 T-Slot Aluminium extrusions

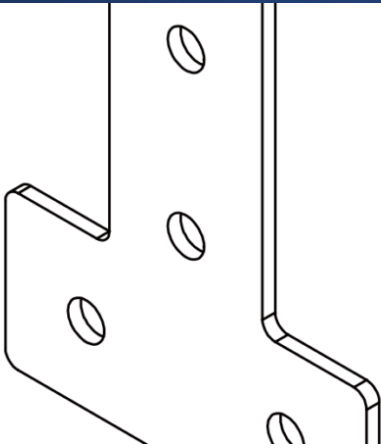
[Read More](#)

SKU: N/A

Price: \$12.00 Ex GST

Categories: [Accessories](#), [Connecting plates](#), [Joint accessories](#), [T Slot profile and accessories](#)

Tags: [40 Series](#), [4040](#), [T Plate](#), [T-Slot accessories](#), [T-Slot Joint](#)



MILD STEEL FLOOR ANCHOR 40X40 SIDE MOUNTED 1 PAIR LEFT AND RIGHT

FBAS-OSA-40

1 Set left and right

Zink plated bracket for fixing 40 series T-Slot aluminium framework to the ground.

This can also be used as a corner brace

[Read More](#)

SKU: N/A

Price: \$40.50 Ex GST

Categories: [Accessories](#), [Finishing accessories](#), [Foundation brackets](#), [Support accessories](#), [T Slot profile and accessories](#)

Tags: [40 Series](#), [4040](#), [Floor Anchor](#), [Stainless Steel](#), [T-Slot accessories](#)



POLYAMIDE HINGE 4040

NHB-4040

[Read More](#)

SKU: N/A

Price: \$6.50 Ex GST

Categories: [Accessories](#), [Handles and hinges](#)

Tags: [40 Series](#), [4040](#), [Hinge](#), [T-Slot accessories](#)



PROFILE 40X40 - 8MM SLOT HEAVY

Price per meter

Product code: TS-B-4040-8-4

Colour: Natural anodized

Bar Length: 5800 mm

[Read More](#)

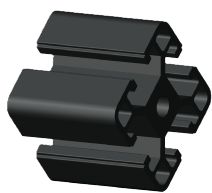
SKU: N/A

Price: \$33.00 Ex GST per Meter

Categories: [40 Series](#), [T slot Aluminium Profiles](#), [T Slot profile and accessories](#)

Tags: [40 Series](#), [4040](#), [Aluminium Extrusion](#), [NEW](#), [T-Slot](#)





PROFILE 40X40 - 8MM SLOT HEAVY BLACK

Price per meter

Product code: TS-B-4040-8-4-B

Colour: Anodized Black

Bar Length: 5800 mm

[Read More](#)

SKU: N/A

Price: \$39.50 Ex GST per Meter

Categories: [40 Series](#), [T slot Aluminium Profiles](#), [T Slot profile and accessories](#)

Tags: [40 Series](#), [4040](#), [Aluminium Extrusion](#), [T-Slot](#)



PROFILE 40X40 8MM SLOT 3 SLOT

Price per meter

Product code: MK-8-4040EE

Colour: Natural anodized

Bar Length: 5800 mm

[Read More](#)

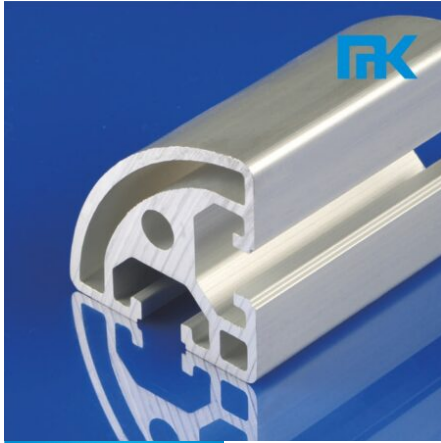
SKU: N/A

Price: \$36.04 Ex GST per Meter

Categories: [40 Series](#), [T slot Aluminium Profiles](#), [T Slot profile and accessories](#)

Tags: [40 Series](#), [4040](#), [8mm Slot](#), [Aluminium Extrusion](#), [T-Slot](#)





PROFILE 40X40 R 8MM SLOT

Price per meter

Product code: MK-8-4040R

Colour: Natural anodized

Bar Length: 5800 mm

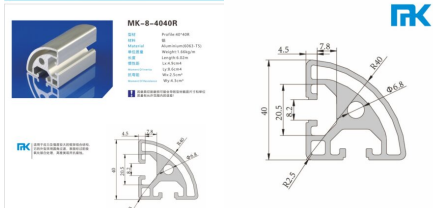
[Read More](#)

SKU: N/A

Price: \$35.45 Ex GST per Meter

Categories: [40 Series](#), [T slot Aluminium Profiles](#), [T Slot profile and accessories](#)

Tags: [40 Series](#), [4040](#), [8mm Slot](#), [Aluminium Extrusion](#), [Round Profile](#), [T-Slot](#)



PROFILE 40X40-8 MM SLOT HALF CLOSED

Price per meter

Product code: MK-8-4040E

Colour: Natural anodized

Bar Length: 5800 mm

[Read More](#)

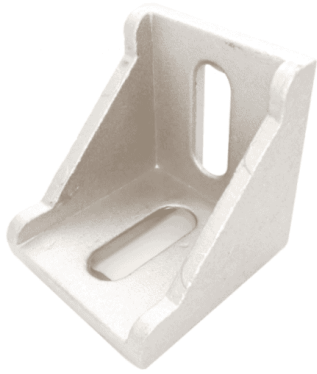
SKU: N/A

Price: \$36.43 Ex GST per Meter

Categories: [40 Series](#), [T slot Aluminium Profiles](#), [T Slot profile and accessories](#)

Tags: [40 Series](#), [4040](#), [8mm Slot](#), [Aluminium Extrusion](#), [T-Slot](#)





TYPE A DIE CAST CORNER BRACKET 40X40

AM-ADCB-4040-8

Cast aluminium corner bracket for joining and supporting t Slot Aluminium profiles and for attaching components.

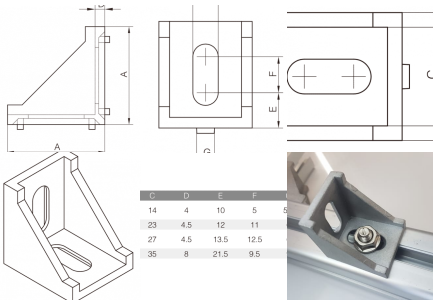
[Read More](#)

SKU: N/A

Price: \$4.48 Ex GST

Categories: [Accessories](#), [Corner brackets](#), [Die cast corner brackets](#), [Joint accessories](#), [T Slot profile and accessories](#)

Tags: [4040](#), [Corner Bracket](#), [Die Cast Bracket](#), [M8](#), [Series 40](#), [T-Slot accessories](#), [T-Slot Joint](#)



INDEX

A

- Aluminium hinge 4040 2
- Articulated joint 40x40 2
- Articulated joint 40x40 with locking handle 3

C

- Clamping Plate 3030 3
- Clamping Plate 4545 4

D

- Die cast dual gusset bracket 40x40 4

E

- End Cap 40x40 black 5
- End Plate 4040 Black 5
- End Plate 4040 Silver 6
- End plate 40x40 (8mm slot) 6
- Extrusion machined corner bracket 90 degrees 4040 7

F

- Floor anchor 40x40 7

J

- Joining Cross plate 4040 8
- Joining L plate 4040 8
- Joining T plate 4040 9

M

- Mild Steel floor anchor 40x40 side mounted 1 Pair left and right 9

P

- Polyamide hinge 4040 10
- Profile 40x40 - 8mm slot Heavy 10
- Profile 40x40 - 8mm slot Heavy Black 11
- Profile 40x40 8mm Slot 3 Slot 11
- Profile 40x40 R 8mm Slot 12
- Profile 40x40-8 mm slot Half Closed 12

T

- Type A Die cast corner bracket 40x40 13