



PRODUCT CATALOGUE

TABLE OF CONTENTS

45 Series	2
------------------------	----------

45 SERIES

45 SERIES L CORNER GUSSET

CG-4545

Aluminium cross joining plate for 40 series T-Slot Aluminium extrusions

[Read More](#)

SKU: N/A

Price: \$16.90 Ex GST

Categories: [Accessories](#), [Connecting plates](#), [Joint accessories](#), [T Slot profile and accessories](#)

Tags: [45 Series](#), [Corner Gusset](#), [T-Slot accessories](#), [T-Slot Joint](#)



45 SERIES LINEAR JOINT EXTENDER

Linear joiners for T-Slot aluminium profile extrusion.

These connectors fit neatly into the T-slot and securely hold the profiles together with grub screws.

A linear extender can be used in each slot allowing for an extra-strong join.

[Read More](#)

SKU: N/A

Price: \$5.27 Ex GST

Categories: [Accessories](#), [Joint accessories](#), [Linear joiners](#), [T Slot profile and accessories](#)

Tags: [45 Series](#), [Linear Joiner](#), [T-Slot accessories](#), [T-Slot Joint](#)



45 SERIES T CORNER GUSSET

CG-4545

Aluminium cross joining plate for 30 series T-Slot Aluminium extrusions

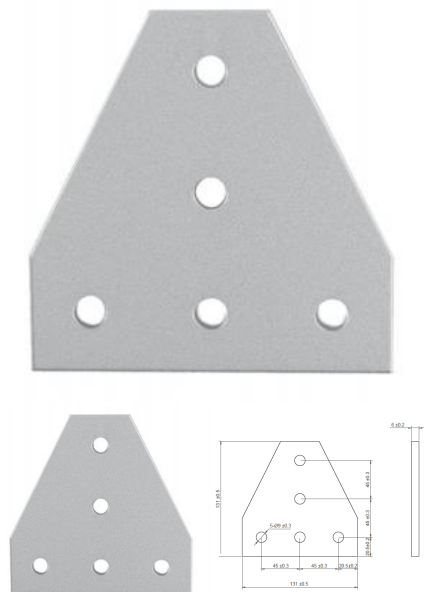
[Read More](#)

SKU: N/A

Price: \$13.20 Ex GST

Categories: [Accessories](#), [Connecting plates](#), [Joint accessories](#), [T Slot profile and accessories](#)

Tags: [45 Series](#), [Corner Gusset](#), [T-Slot accessories](#), [T-Slot Joint](#)



ALUMINIUM HINGE 4545

MHB-4545

[Read More](#)

SKU: N/A

Price: \$8.64 Ex GST

Categories: [Accessories](#), [Handles and hinges](#)

Tags: [45 Series](#), [4545](#), [Hinge](#), [T-Slot accessories](#)





ANTI SLIP SURFACE GRIP 45 SERIES

2729.010.004

Plain anti-slip strip

Price per meter

[Read More](#)

SKU: N/A

Price: \$5.61 Ex GST

Categories: [Accessories](#), [Caps and covers](#), [Finishing accessories](#), [Slot covers](#), [T Slot profile and accessories](#)

Tags: [45 Series](#), [Anti-Slip](#), [rubber strip](#), [Slot Cover](#), [T-Slot accessories](#)



ARTICULATED JOINT 45X45

Part Number PJ-4545

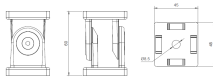
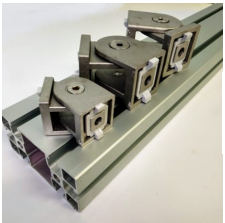
[Read More](#)

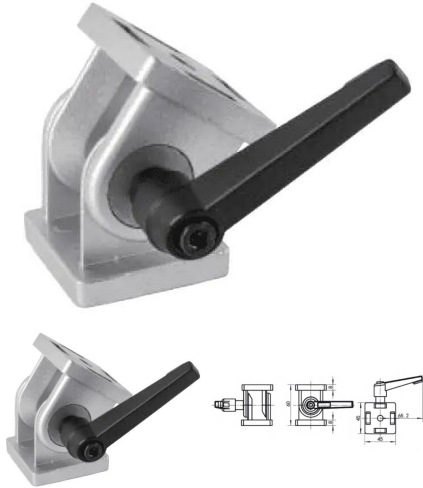
SKU: N/A

Price: \$14.95 Ex GST

Categories: [Articulated Joints](#), [T Slot profile and accessories](#)

Tags: [45 Series](#), [4545](#), [Articulated joint](#), [T-Slot accessories](#), [T-Slot Joint](#)





ARTICULATED JOINT 45X45 WITH LOCKING HANDLE

Part Number P JL-4545

[Read More](#)

SKU: N/A

Price: \$15.02 Ex GST

Categories: [Articulated Joints](#), [T Slot profile and accessories](#)

Tags: [45 Series](#), [4545](#), [Articulated joint](#), [Locking handle](#), [T-Slot accessories](#), [T-Slot joint](#)



DROP IN T STUD M8X20 - 45 SERIES (BAG OF 10)

DITS-M8-40-C

Mild steel Galvanised T Stud M8x20 for 40 series T Slot

[Read More](#)

SKU: N/A

Price: \$10.80 Ex GST

Categories: [45 Series Drop in T Stud](#), [Accessories](#), [Drop in T Studs \(Hammer head bolts\)](#), [Nuts , bolts and connectors](#), [Services](#), [T Slot profile and accessories](#)

Tags: [45 Series](#), [Bolt](#), [Drop in T Stud](#), [M8](#)



END CAP 45X45 BLACK

EC-4545-B

Plastic end cap

[Read More](#)

SKU: N/A

Price: \$1.02 Ex GST

Categories: [Accessories](#), [Caps and covers](#), [End Caps](#)

Tags: [45 Series](#), [4545](#), [Black](#), [End Cap](#), [T-Slot accessories](#)



END CAP 45X90 BLACK

EC-4590-B

Plastic end cap

[Read More](#)

SKU: N/A

Price: \$1.02 Ex GST

Categories: [Accessories](#), [Caps and covers](#), [End Caps](#)

Tags: [45 Series](#), [4590](#), [Black](#), [End Cap](#), [T-Slot accessories](#)





END PLATE 4590 M12

AEP-4590-M12

Die cast aluminium end plate for mounting articulated foot M12 thread

[Read More](#)

SKU: N/A

Price: \$8.23 Ex GST

Categories: [Accessories](#), [End Plates](#), [Joint accessories](#)

Tags: [45 Series](#), [4590](#), [End Plate](#), [M12](#), [T-Slot accessories](#)



FLOOR ANCHOR 45X45

FBC-4545

[Read More](#)

SKU: N/A

Price: \$32.00 Ex GST

Categories: [Accessories](#), [Foundation brackets](#), [Support accessories](#)

Tags: [45 Series](#), [4545](#), [Floor Anchor](#), [T-Slot accessories](#)

HAMMER HEAD NUT SLOT 10 M6 SERIES 45 (BAG OF 10)

HHN-C-M6-10-45

Galvanised Carbon Steel

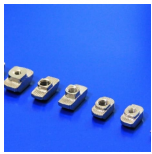
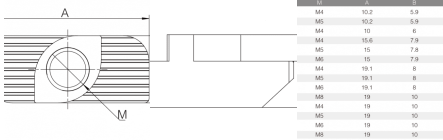
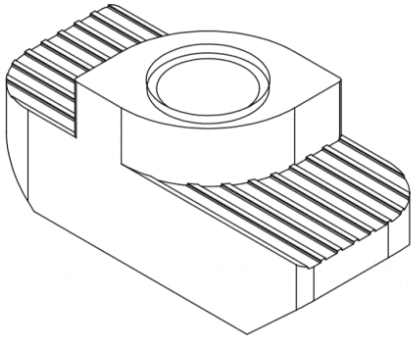
[Read More](#)

SKU: N/A

Price: \$9.00 Ex GST

Categories: [45 Series hammer head nuts](#), [Accessories](#), [Hammer head nuts](#), [Nuts](#), [bolts and connectors](#), [T Slot profile and accessories](#)

Tags: [45 Series](#), [Hammer Head Nut](#), [M6](#), [Nut](#)



HAMMER HEAD NUT SLOT 10 M8 SERIES 45 (BAG OF 10)

HHN-C-M8-10-45

Galvanised Carbon Steel

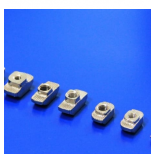
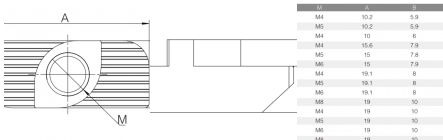
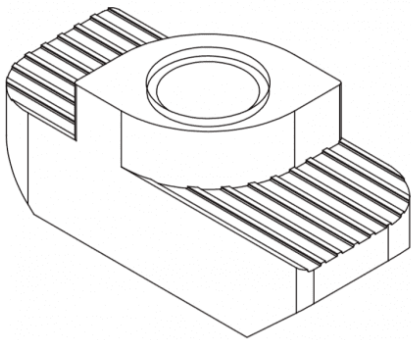
[Read More](#)

SKU: N/A

Price: \$9.00 Ex GST

Categories: [45 Series hammer head nuts](#), [Accessories](#), [Hammer head nuts](#), [Nuts](#), [bolts and connectors](#), [T Slot profile and accessories](#)

Tags: [45 Series](#), [Hammer Head Nut](#), [M8](#), [Nut](#)





INTERNAL CORNER BRACKET 45 SERIES M8

ICB-M8-10-45

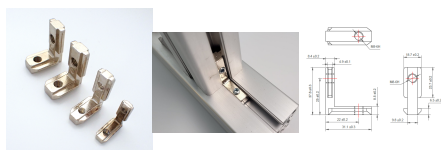
[Read More](#)

SKU: N/A

Price: \$5.25 Ex GST

Categories: [Accessories](#), [Internal Corner Brackets](#), [Joint accessories](#), [T Slot profile and accessories](#)

Tags: [45 Series](#), [Corner Bracket](#), [Internal Corner Bracket](#), [M8](#), [T-Slot accessories](#), [T-Slot Joint](#)



POLYAMIDE HINGE 4545

NHB-4545

[Read More](#)

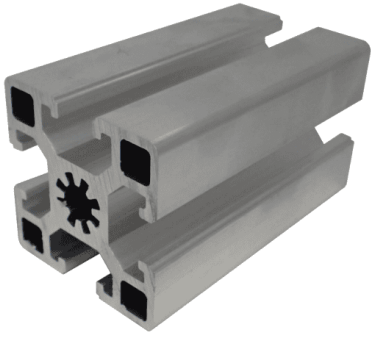
SKU: N/A

Price: \$6.50 Ex GST

Categories: [Accessories](#), [Handles and hinges](#)

Tags: [45 Series](#), [4545](#), [Hinge](#), [T-Slot accessories](#)





PROFILE 45X45 10MM SLOT

Price per meter

Product Code : TS-4545-10-4

Colour : Natural Anodised

Bar Length : 5800 mm

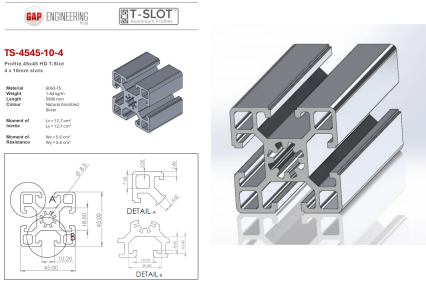
[Read More](#)

SKU: ALS.084.101.012

Price: \$38.72 Ex GST per Meter

Categories: [45 Series](#), [T slot Aluminium Profiles](#), [T Slot profile and accessories](#)

Tags: [10mm Slot](#), [45 Series](#), [4545](#), [Aluminium Extrusion](#), [T-Slot](#)



PROFILE 45X45 HALF ROUND

Price per meter

Product code: MK-4545R

Colour: Natural anodized

Bar Length: 5800 mm

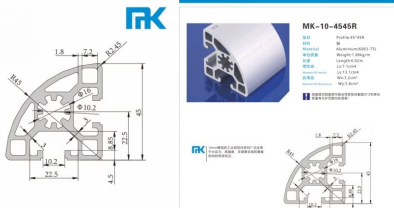
[Read More](#)

SKU: N/A

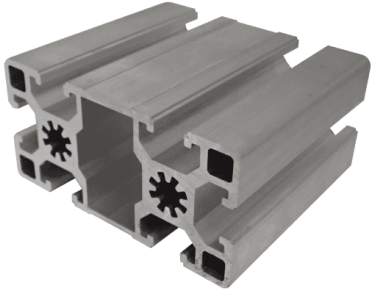
Price: \$37.22 Ex GST per Meter

Categories: [45 Series](#), [T slot Aluminium Profiles](#), [T Slot profile and accessories](#)

Tags: [10mm Slot](#), [45 Series](#), [4545](#), [Aluminium Extrusion](#), [Round Profile](#), [T-Slot](#)



PROFILE 45X90 10MM SLOT



Price per meter

Product code: TS-4590-10-6

Colour: Natural anodized

Bar Length: 5800 mm

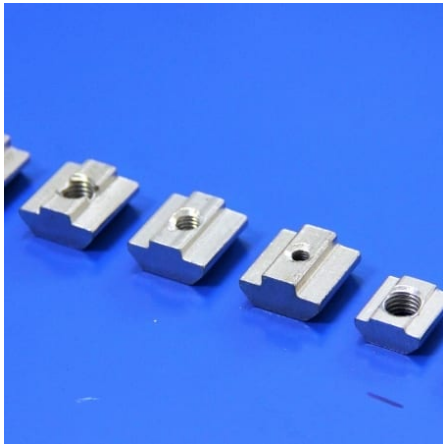
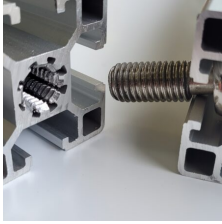
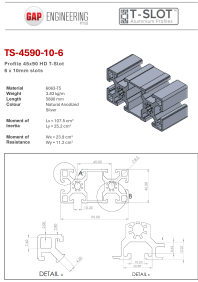
[Read More](#)

SKU: N/A

Price: \$72.60 Ex GST per Meter

Categories: [45 Series](#), [T slot Aluminium Profiles](#), [T Slot profile and accessories](#)

Tags: [10mm Slot](#), [45 Series](#), [4590](#), [Aluminium Extrusion](#), [T-Rax Cargo System](#), [T-Slot](#)



SLIDING NUT M10 SERIES 45 (BAG OF 10)

MK-SN-C-M8-10-45

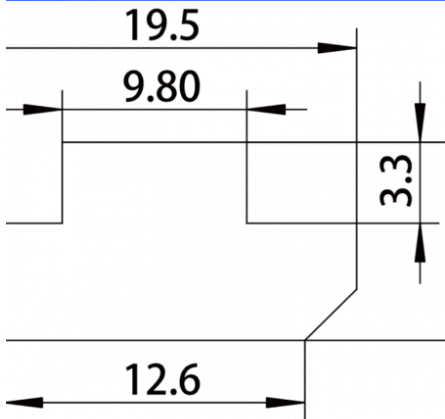
[Read More](#)

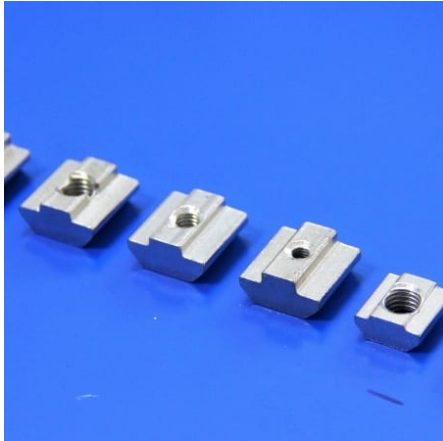
SKU: N/A

Price: \$8.20 Ex GST

Categories: [45 Series sliding nuts](#), [Nuts , bolts and connectors](#), [Sliding nuts](#), [T Slot profile and accessories](#)

Tags: [45 Series](#), [M10](#), [Nut](#), [Sliding Nut](#)





SLIDING NUT M4 SERIES 45 (BAG OF 10)

MK-SN-C-M4-10-45

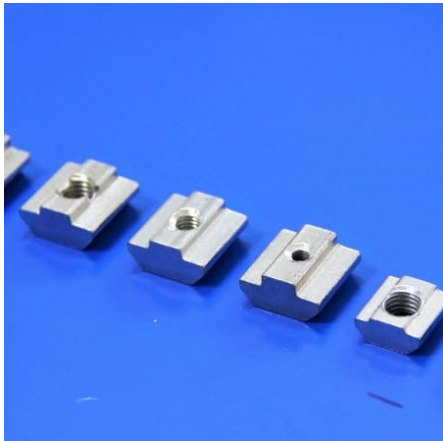
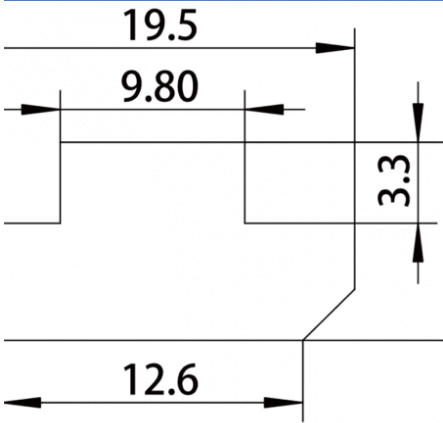
[Read More](#)

SKU: N/A

Price: \$9.10 Ex GST

Categories: [45 Series sliding nuts](#), [Nuts , bolts and connectors](#), [Sliding nuts](#), [T Slot profile and accessories](#)

Tags: [45 Series](#), [M4](#), [Nut](#), [Sliding Nut](#)



SLIDING NUT M5 SERIES 45 (BAG OF 10)

MK-SN-C-M5-10-45

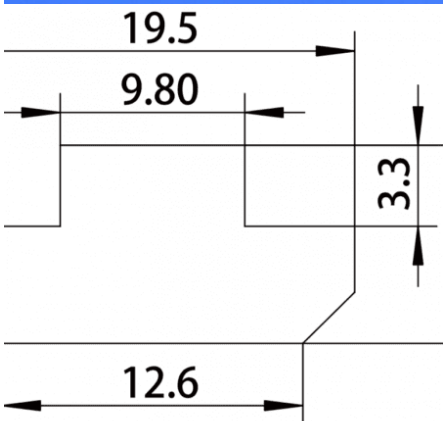
[Read More](#)

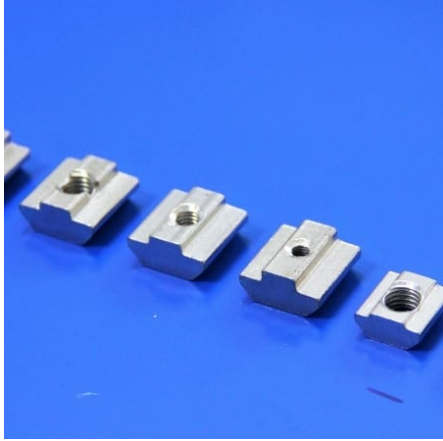
SKU: N/A

Price: \$9.10 Ex GST

Categories: [45 Series sliding nuts](#), [Nuts , bolts and connectors](#), [Sliding nuts](#), [T Slot profile and accessories](#)

Tags: [45 Series](#), [M5](#), [Nut](#), [Sliding Nut](#)





SLIDING NUT M6 SERIES 45 (BAG OF 10)

MK-SN-C-M6-10-45

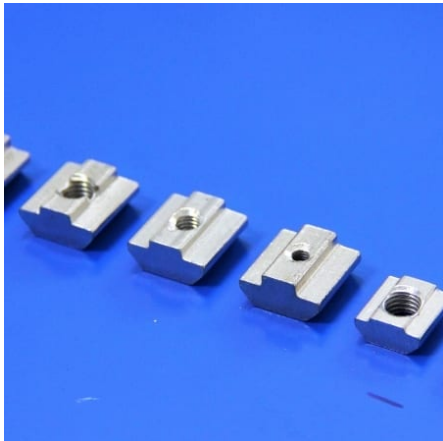
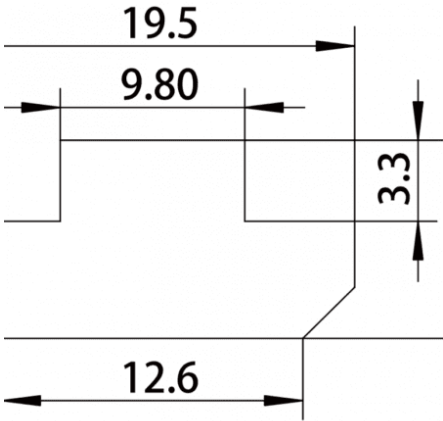
[Read More](#)

SKU: N/A

Price: \$9.10 Ex GST

Categories: [45 Series sliding nuts](#), [Nuts , bolts and connectors](#), [Sliding nuts](#), [T Slot profile and accessories](#)

Tags: [45 Series](#), [M6](#), [Nut](#), [Sliding Nut](#)



SLIDING NUT M8 SERIES 45 (BAG OF 10)

MK-SN-C-M8-10-45

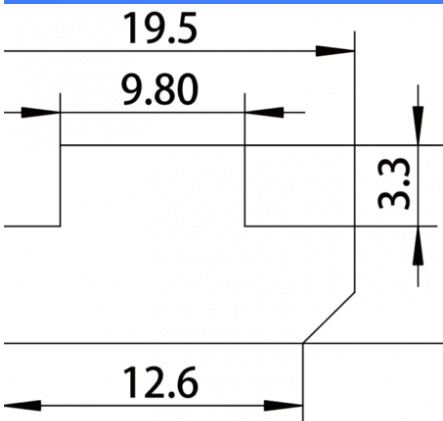
[Read More](#)

SKU: N/A

Price: \$8.20 Ex GST

Categories: [45 Series sliding nuts](#), [Nuts , bolts and connectors](#), [Sliding nuts](#), [T Slot profile and accessories](#)

Tags: [45 Series](#), [M8](#), [Nut](#), [Sliding Nut](#)





SPRING FASTENER ANTI ROTATION 45 SERIES (BAG OF 10)

SF-C-M8-20

Bag of 10

[Read More](#)

SKU: N/A

Price: \$13.50 Ex GST

Categories: [Accessories](#), [Joint accessories](#), [Nuts , bolts and connectors](#), [Spring fasteners](#)

Tags: [45 Series](#), [M12](#), [Nut](#), [Spring Fastener](#)

STAINLESS ROLL IN SPRING TAB NUT M6 FOR 45 SERIES-10MM T SLOT PROFILE.



SRIN-tab -M6-45-SS

Stainless Steel

Bag of 10

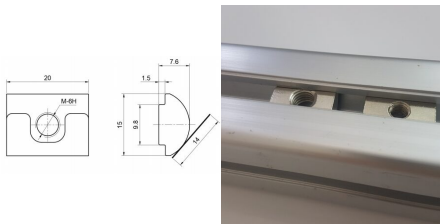
[Read More](#)

SKU: N/A

Price: \$14.74 Ex GST

Categories: [45 Series spring roll in nuts](#), [Nuts , bolts and connectors](#), [Spring-loaded roll in nuts](#), [T Slot profile and accessories](#)

Tags: [45 Series](#), [M6](#), [Nut](#), [Roll in Spring Nut](#), [stainless](#)



STAINLESS ROLL IN SPRING TAB NUT M10 FOR 45 SERIES-10MM T SLOT PROFILE.



SRIN-tab-M10-45-SS

Stainless Steel

Bag of 10

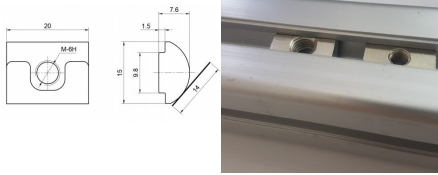
[Read More](#)

SKU: N/A

Price: \$14.74 Ex GST

Categories: [45 Series spring roll in nuts](#), [Nuts , bolts and connectors](#), [Spring-loaded roll in nuts](#), [T Slot profile and accessories](#)

Tags: [45 Series](#), [M10](#), [Nut](#), [Roll in Spring Nut](#), [stainless](#)



STAINLESS ROLL IN SPRING TAB NUT M8 FOR 45 SERIES-10MM T SLOT PROFILE.



SRIN-tab-M8-45

Stainless steel

Bag of 10

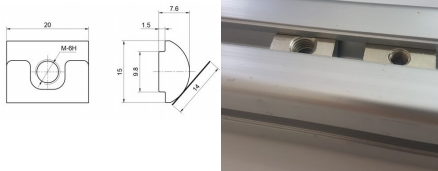
[Read More](#)

SKU: N/A

Price: \$14.74 Ex GST

Categories: [45 Series spring roll in nuts](#), [Nuts , bolts and connectors](#), [Spring-loaded roll in nuts](#), [T Slot profile and accessories](#)

Tags: [45 Series](#), [M8](#), [Nut](#), [Roll in Spring Nut](#), [stainless](#)



INDEX

4

- 45 Series L corner gusset 2
- 45 series linear joint extender 2
- 45 series T corner gusset 3

A

- Aluminium hinge 4545 3
- Anti slip surface grip 45 series 4
- Articulated joint 45x45 4
- Articulated joint 45x45 with locking handle 5

D

- Drop in T Stud M8x20 - 45 series (bag of 10) 5

E

- End Cap 45x45 black 6
- End Cap 45x90 black 6
- End plate 4590 M12 7

F

- Floor anchor 45x45 7

H

- Hammer Head Nut Slot 10 M6 series 45 (bag of 10) 8
- Hammer Head Nut Slot 10 M8 series 45 (bag of 10) 8

I

- Internal corner bracket 45 series M8 9

P

- Polyamide hinge 4545 9
- Profile 45x45 10mm slot 10
- Profile 45x45 half round 10
- Profile 45x90 10mm Slot 11

S

- Sliding Nut M10 Series 45 (bag of 10) 11
- Sliding Nut M4 Series 45 (bag of 10) 12
- Sliding Nut M5 Series 45 (bag of 10) 12
- Sliding Nut M6 Series 45 (bag of 10) 13
- Sliding Nut M8 Series 45 (bag of 10) 13
- Spring fastener anti rotation 45 series (Bag of 10) 14
- Stainless Roll in spring tab Nut M10 for 45 Series-10mm T slot profile. 15
- Stainless Roll in spring tab Nut M6 for 45 Series-10mm T slot profile. 14
- Stainless Roll in spring tab Nut M8 for 45 Series-10mm T slot profile. 15