



---

# PRODUCT CATALOGUE

# TABLE OF CONTENTS

**Services** ..... 2



# SERVICES



## ACETYL SLIDE 30 SERIES

2236.008.002

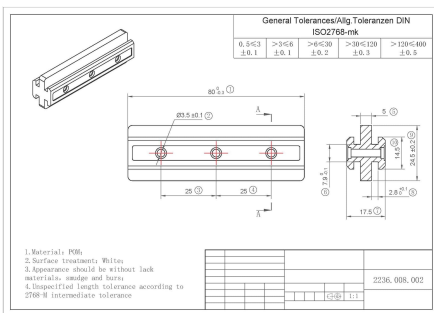
[Read More](#)

**SKU:** N/A

**Price:** \$15.35 Ex GST

**Categories:** [Linear guides](#), [Mechanical Parts](#)

**Tags:** [30 Series](#), [linear slide](#), [T-Slot accessories](#)





## ACETYL SLIDE 40 SERIES

2236.010.003

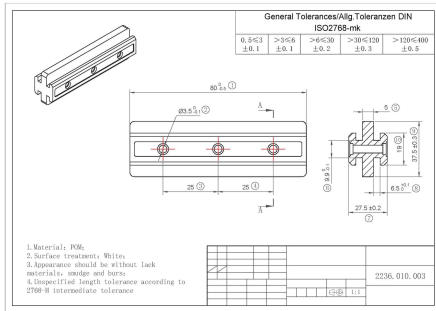
[Read More](#)

**SKU:** N/A

**Price:** \$20.61 Ex GST

**Categories:** [Linear guides](#), [Mechanical Parts](#)

**Tags:** [40 Series](#), [linear slide](#), [T-Slot accessories](#)





# INDEX

## A

Acetyl slide 30 series 2

Acetyl slide 40 series 3