



---

# PRODUCT CATALOGUE

# TABLE OF CONTENTS

Locating pins ..... 2







## ACETYL SLIDE 40 SERIES

2236.010.003

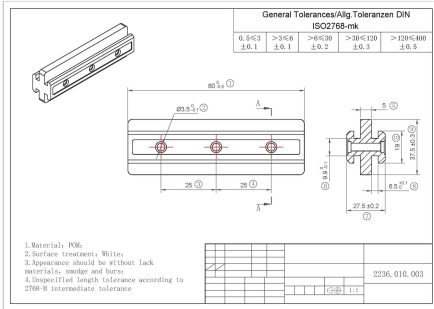
[Read More](#)

**SKU:** N/A

**Price:** \$20.61 Ex GST

**Categories:** [Linear guides](#), [Mechanical Parts](#)

**Tags:** [40 Series](#), [linear slide](#), [T-Slot accessories](#)



## DOOR LATCH 30/40 SERIES

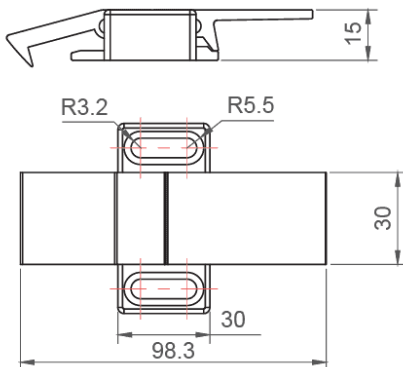
[Read More](#)

**SKU:** N/A

**Price:** \$9.45 Ex GST

**Categories:** [Accessories](#), [Door Latches](#), [Handles and hinges](#), [T Slot profile and accessories](#)

**Tags:** [30 Series](#), [40 Series](#), [Door Latch](#), [M8](#), [T-Slot accessories](#)



## DOOR LATCH 40 SERIES BLACK



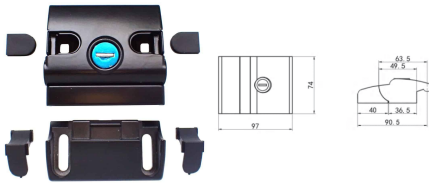
[Read More](#)

**SKU:** N/A

**Price:** \$39.69 Ex GST

**Categories:** [Accessories](#), [Door Latches](#), [Handles and hinges](#), [T Slot profile and accessories](#)

**Tags:** [40 Series](#), [Door Latch](#), [M6](#), [T-Slot accessories](#)



## DOOR LATCH 40 SERIES SILVER



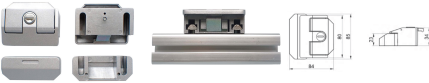
[Read More](#)

**SKU:** N/A

**Price:** \$39.69 Ex GST

**Categories:** [Accessories](#), [Door Latches](#), [Handles and hinges](#), [T Slot profile and accessories](#)

**Tags:** [40 Series](#), [Door Latch](#), [M8](#), [T-Slot accessories](#)



## M10X 50 LOCATING PIN

MT-193-10

Stainless steel locating pins also called Aviation pins, quick release pins or pip pins are used for rapid removal and replacement of components on T-Slot Aluminium Extrusion projects. Simply press the button on the handle to remove the pin, once the component is in position replace the pin by pressing the button and sliding it into the hole. The quick-release pin is attached to a lanyard which prevents you from dropping or losing it while you have your hands full . No tools are required just a simple and convenient one-handed operation. T-shaped stainless steel ball head locking pin, safety pin handle stop pin, bolt steel ball quick release pin

[Read More](#)

**SKU:** N/A

**Price:** \$23.38 Ex GST

**Category:** [Locating pins](#)

**Tags:** [Locating Pin](#), [M10](#), [Stainless Steel](#), [T-Slot accessories](#)





## M8 INDEXING PLUNGER

VCN-210-SS-M8L-S

Stainless steel indexing pins also called locating pins or indexing plungers are used for rapid removal and replacement of components on T-Slot Aluminium Extrusion projects. Simply pull the handle out and rotate it 90 degrees to remove the part, once the component has been replaced rotate the handle until the pin drops into position.

[Read More](#)

**SKU:** N/A

**Price:** \$9.50 Ex GST

**Category:** [Locating pins](#)

**Tags:** [Locating Pin](#), [M8](#), [T-Slot accessories](#)



## M8X 40 LOCATING PIN

VCN-210-SS-M8L-S

Stainless steel locating pins also called Aviation pins, quick release pins or pip pins are used for rapid removal and replacement of components on T-Slot Aluminium Extrusion projects. Simply press the button on the handle to remove the pin, once the component is in position replace the pin by pressing the button and sliding it into the hole. The quick-release pin is attached to a lanyard which prevents you from dropping or losing it while you have your hands full. No tools are required just a simple and convenient one-handed operation.

[Read More](#)

**SKU:** N/A

**Price:** \$16.87 Ex GST

**Category:** [Locating pins](#)

**Tags:** [Locating Pin](#), [M8](#), [T-Slot accessories](#)





# INDEX

## A

Acetyl slide 30 series 3

Acetyl slide 40 series 4

## D

Door Latch 30/40 series 4

Door Latch 40 series Black 5

Door Latch 40 series Silver 5

## M

M10x 50 Locating pin 6

M8 indexing plunger 7

M8x 40 Locating pin 7